

VARIABLE SPEED PULLEY

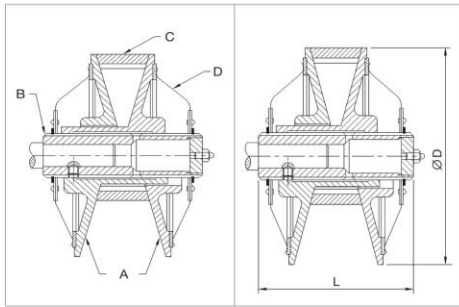
Swati Variable Speed Pulley Drives convert any standard constant speed motor to a variable speed instantly, accurately, smoothly & while the machine is in motion. The speed variation achieved is 1:3 and in combination with various fixed pulleys practically full middle speed range is covered.

Construction & Working

Pulley disks(A) slide axially along the serrated hub(B) and are forced on to the working flanks of the variable speed belt(C) by special basket shaped springs(D). These special basket shaped springs are located in rotational symmetry on both the disks & provide the required force for efficient power transmission. The connection between the pulley disks & the hub is through serrations. Due to these serrations, minor allowable surface pressures are maintained. Therefore a very long life is achieved.

Speed Adjustment

The drive motor with its variable speed pulley is fitted to the adjustable motor slide base. By adjusting the center distance between the driveR and driveN shafts, the wide section V - belt is pulled either further in or further out of the spring loaded variable speed pulley. This changes the effective running diameter of the belt in the variable speed pulley and thereby the speed of the fixed pulley. In addition to the motor slide base, speed adjustment can be made with motor jacks or jockey pulley.



KW	Power Hp	RPM	Bore Ø With Keyseat	Type	Ø D	L	Belt Section	Approx Weight In Kgs.
.18	.25 Hp	750		14	120	72	22 x 6	1
.25	.33 Hp	1000						
.37	.5 Hp	1500	(5 x 2.3)	19:14	155	95	28 x 8	2.4
.55	.75 Hp	3000						
.37	.5 Hp	750		19	155	95	28 x 8	2.4
.55	.75 Hp	1000						
.75	1 Hp	1500	(6 x 2.8)	24:19	185	110	37 x 10	3.5
1.1	1.5 Hp	3000						
.75	1 Hp	750		24	185	110	37 x 10	3.5
1.1	1.5 Hp	1000						
1.5	2 Hp	1500	(8 x 3.3)	28:24	225	130	47 x 13	6.5
2.2	3 Hp	3000						
1.1	1.5 Hp	750		28	225	130	47 x 13	6.5
1.5	2 Hp	1000						
2.2	3 Hp	1500	(8 x 3.3)	30:28	270	148	47 x 13	11.0
3	4 Hp	3000						
2.2	3 Hp	750		28	30:28*	270	148	47 x 13
3.0	4 Hp	1000	(8 x 3.3)	38:28	310	180	55 x 16	19.0
3.7	5 Hp	1500						
3.0	4 Hp	750		38	38	310	180	55 x 16
4.0	5 Hp	1000	(10 x 3.3)	42:38	360	215	70 x 18	25.5
7.5	10 Hp	1500						
5.5	7.5 Hp	750		42	42	360	215	70 x 18
7.5	10 Hp	1000	(12 x 3.3)	48:42	375	215	70 x 18	33.0
11.0	15 Hp	1500						
9.3	12.5 Hp	750		48	48	375	215	70 x 18
11.0	15 Hp	1000	(14 x 3.8)	48	375	215	70 x 18	33.0
18.5	25 Hp	1500						

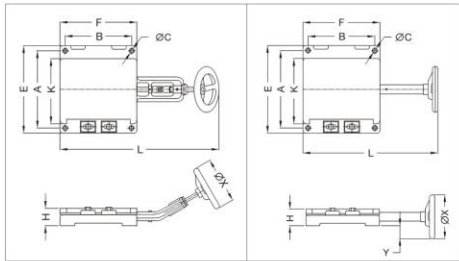
* Bore 30mm also available

MOTOR SLIDE BASE

Swati Motor Slide Base are of flat & solid design. They are robust with perfect parallelogram guide ways, ensuring quiet running of Swati Variable Speed Pulleys. To limit the adjustment range two end stops are provided. Three Sizes are available in different configurations.

Angular handwheel (u) - The handwheel is fixed at 33° above horizontal plane.

Straight handwheel (st) - The handwheel is parallel to the horizontal



Type	A	B	Ø C	E	F	H	K	L	Ø X	Y	S
718090 'St'	210	180	14	239	209	49	178	350	125	38	90
100112 'St'	230	250	19	265	288	54	230	430	125	34	170
132180 'St'	260	435	19	302	476	87	365	725	125	8	300
718090 'U'	210	180	14	239	209	49	178	428	125	-	90
100112 'U'	230	250	19	265	288	54	230	500	125	-	170

S - Indicates Travel