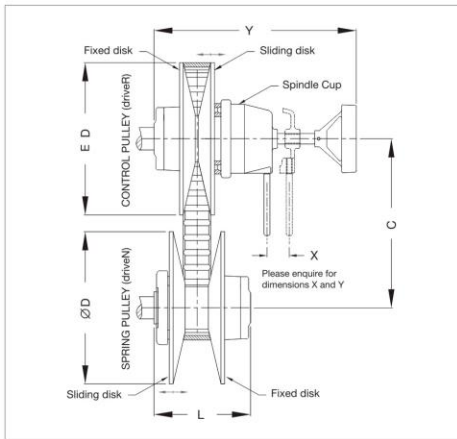
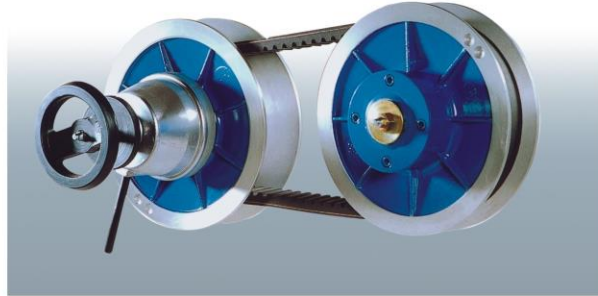


FIXED CENTER DRIVE

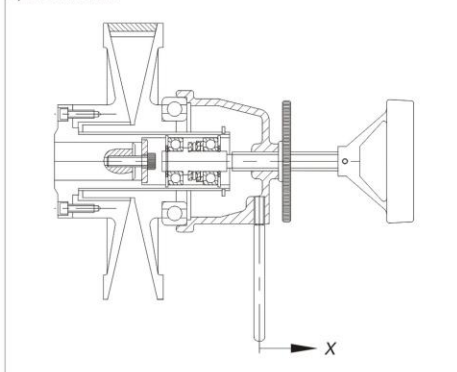
Swati Fixed Center Drive brings stepless speed variation to numerous industrial applications, where space saving & wide speed variation are essential considerations. The speed variation achieved is 1:6.

Construction & Working.

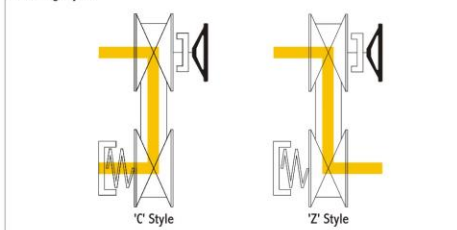
Swati Fixed Center Drive consists of two variable speed pulleys & a variable speed belt. Both the variable speed pulleys have two disks each, one fixed on the hub & other sliding. The driving pulley is the control pulley having bearing mounted on its sliding disk while the driven pulley has spring loaded sliding disk. The control pulley is provided with a manually adjustable speed control device. To vary the speed, the sliding disk of the control pulley is adjusted by means of the speed control device. Accordingly the variable speed belt is either pulled further in or further out of the control pulley. In turn the spring loaded pulley gets adjusted automatically to accommodate the belt. The drive works on a fixed center distance and provides stepless speed variation.



Speed Control device



Mounting Styles



Type	Motor Power	Std Bore	Max Bore	Key Seat	Driven Pulley RPM range for Driver RPM of			ØD	L	Belt Section
					750	1000	1500			
FC 10	0,18 to 0,37Kw	11	14	4 x 1,8	310	415	630	102	72	22 x 8
		14		5 x 2,3	1760	2350	3600			
FC 13	0,37 to 0,75Kw	14	20	5 x 2,3	310	418	620	130	95	22 x 8
		19		6 x 2,8	1794	2392	3550			
FC 15	0,75 to 1,5Kw	19	25	6 x 2,8	324	430	649	155	110	22 x 8
		24		8 x 3,3	1755	2327	3511			
FC 21	1,5 to 3,7Kw	24	32	8 x 3,3	285	378	570	205	130	37 x 10
		32		10 x 3,3	1715	2275	3430			
FC 22	1,5 to 3,7Kw	28	32	8 x 3,3	285	378	570	225	150	37 x 10
		32		10 x 3,3	1776	2275	3432			
FC 25	3,7 to 7,5Kw	28	40	8 x 3,3	296	394	592	250	160	47 x 13
		38		10 x 3,3	1800	2279	3500			
FC 31	7,5 to 15Kw	38	45	10 x 3,3	280	390	580	315	196	55 x 16
		42		12 x 3,3	1700	2325	3500			
FC 35	18,5 to 45Kw	48	60	14 x 3,8	310	425	620	350	233	70 x 18
		55		16 x 4,3	1800	2435	3653			
		60		18 x 4,4	1800	2435	3653			

Type	FC 10	FC 13	FC 15	FC 21	FC 22	FC 25	FC 31	FC 35	Theoretical Center Distance (C)	
									Internal Belt Length	
650	224	196	171							
700	249	221	196							
750	274	246	221							
800	299	271	247							
850	324	297	272							
900	349	322	297	253						
950	374	347	322	278	255					
1000	399	372	348	303	280					
1060		402	378	334	311	274				
1120		432	408	364	341	304				
1180		455	438	395	372	334				
1250				431	407	369				
1320				466	443	404	351			
1400				506	483	444	391			
1500				556	533	494	442			
1600				607	584	544	493			
1700				656	634	594	543			
1800				707			594	575		
2000				807				695	676	
2240								816	797	
2500								946	928	

Options

- Lubrication free Aluminium alloy Fixed centre drive
- Fixed centre drive without Speed control device
- Custom built Fixed centre drives